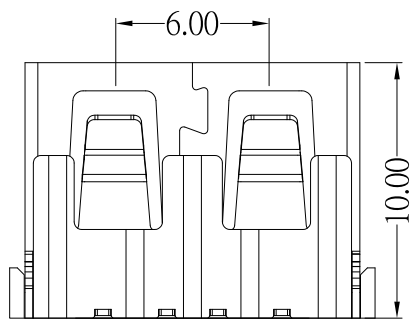
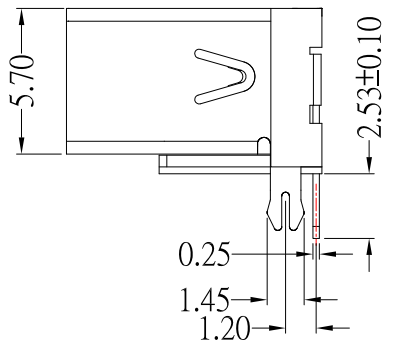
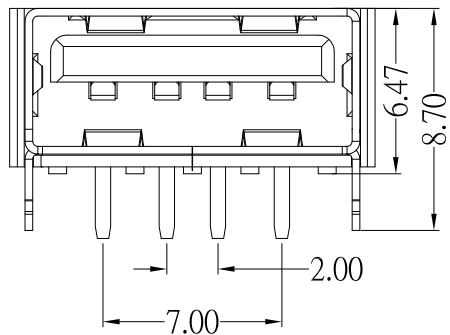
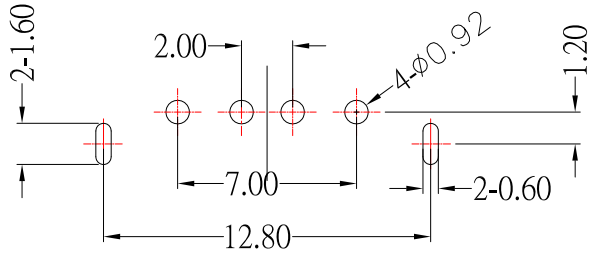
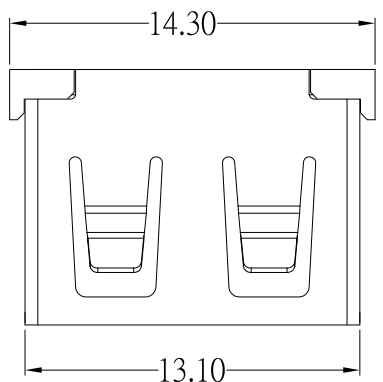




SUA-110H26Ax-x-S236

SHELL :	COLOR :
Blank : BRASS	Black: B
I : SPCC	White : W

P.C.B LAYOUT MOUNTING PATTERN



SPECIFICATIONS

Electrical:

- 1.Contact Resistance: 30 mΩ Max
- 2.Dielectric Withstanding Voltage: 500 V AC / 1 minute
- 3.Insulation Resistance: 1,000 MΩ Min

Mechanical:

- 1.Connector Mate and Unmate Force
 - 1.1 Mate force: 35 N (Max)
 - 1.2 Unmate force: 10N (Min)

Material:

- 1.Housing: LCP
- 2.Contact: Phosphor Bronze
- 3.Shell: Brass / Spcc

Finish:

- 1.Contact: Plated Gold in Mating Area ;
Tin Plated on Solder Balls ;
Nickel under plated overall
- 2.Shell: Nickel under Plated surface layer



TOLERANCE UNLESS OTHERWISE STATED :
 Up to 5 ±0.2
 Above 5 ~ 15 ±0.3
 Above 15 ~ 30 ±0.4
 Above 30 ~ 50 ±0.5
 Angle ±0.3°

3RD. ANGEL'S



UNITS MM

DRAWN BY:	DATE	MAT'L	TITLE	CONNECTOR
Jack Lu	06/11/19			
CHECKED BY:	DATE	FINISH	MODLE	USB AF 短體10.0 後2 腳插板 無捲邊 H:6.47
Jacky Chen	06/11/19			
APPROVED BY:	DATE	SCALE	DWG NO.	SUA-110H26Ax-x-S236
Tony Kao	06/11/19	1 : 1	PART NO.	SUA-110H26Ax-x-S236
		SHEET NO.	1 of 1	

1	更新樣式	Lan	061119
ITEM NO.	DESCRIPTION	DRAWN	DATE